



High performance ULTRASONIC-BEAM DISTRIBUTION TESTER for laboratory uses

# SENSOR BEAM DISTRIBUTION TESTER

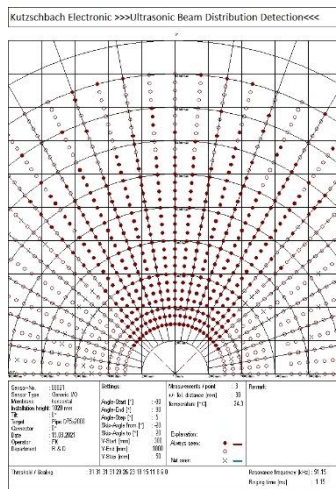
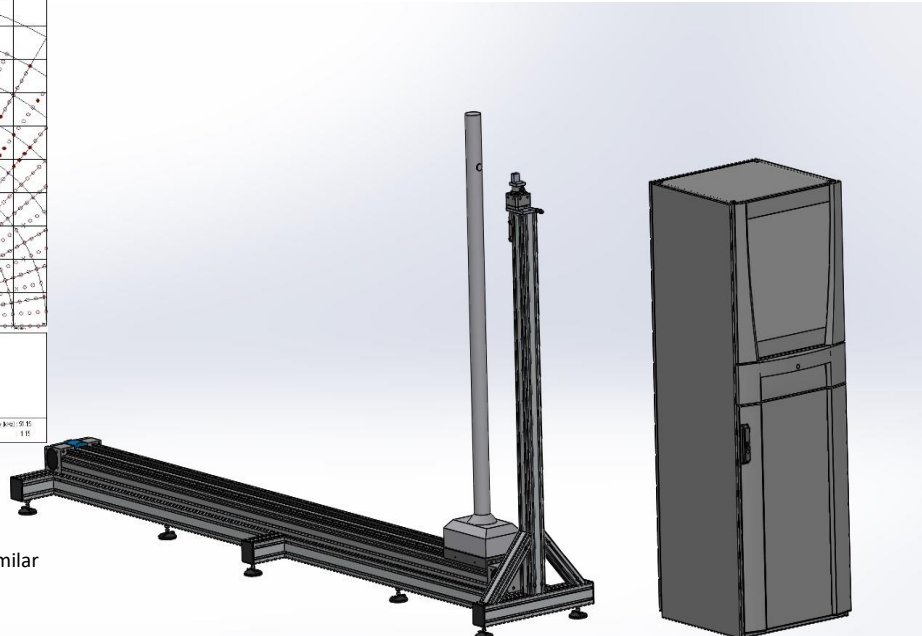


illustration similar



## SHORT DESCRIPTION

Measures the Sensor detection distribution with a 75mm standard pipe target. Measurements can be done with a simple TOF\_1 detection or a TOF\_1 amplitude weighting. The measurement range is 0.1m to 2.5m, the Beam orientation can be adjusted horizontally or vertically. Displays the SPL measurement results in a 360° polar coordinate system (pdf, print out, file). We support most ULTRASONIC-TRANSDUCERS on the market.

## HIGHLIGHTS

- ▶ Ideal for laboratory uses and during production ramp-up.
- ▶ Can simply detect TOF\_1 or measure signal amplitude (ASIC specific)
- ▶ Easy adapts to different custom housings and connector systems.

## OPTION

- ▶ Measure Detection range in receive mode with electronic target, 0,1-9,0m (1mm res.)
- ▶ Measure Sensor SPL [dB] in direct mode, 0.1m to 2.5m distance (min. distance limited by burst length)

## TECHNICAL DETAILS

- ▶ Frequency range 30kHz – 90kHz
- ▶ Sensor interfaces for I/O, LIN and DS13
- ▶ Detection range in direct mode 0.1 to 2.5m (1mm res.), 0°-180° (0.1° res.) with 75mm standard pipe.
- ▶ Can measure frequency, ringing time, temperature.
- ▶ Allows easy modifying of all RAM parameters of the sensor.
- ▶ Transmits custom thresholds.
- ▶ Can program the sensor EEPROM
- ▶ Local data store Excel format
- ▶ Graphics as polar coordinates.

**2021: MORE THAN 1 BILLION ULTRASONIC SENSORS PRODUCED ON OUR EQUIPMENT**

