



ULTRASONIC-TRANSDUCER SPl DISTRIBUTION TESTER for laboratory uses

TRANSDUCER BEAM DISTRIBUTION TESTER

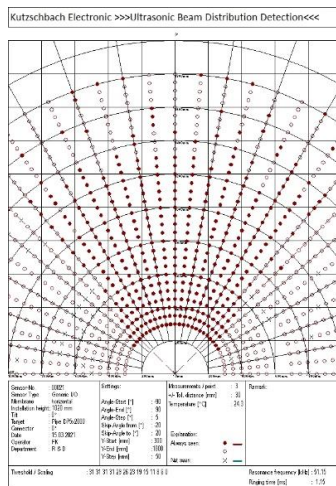
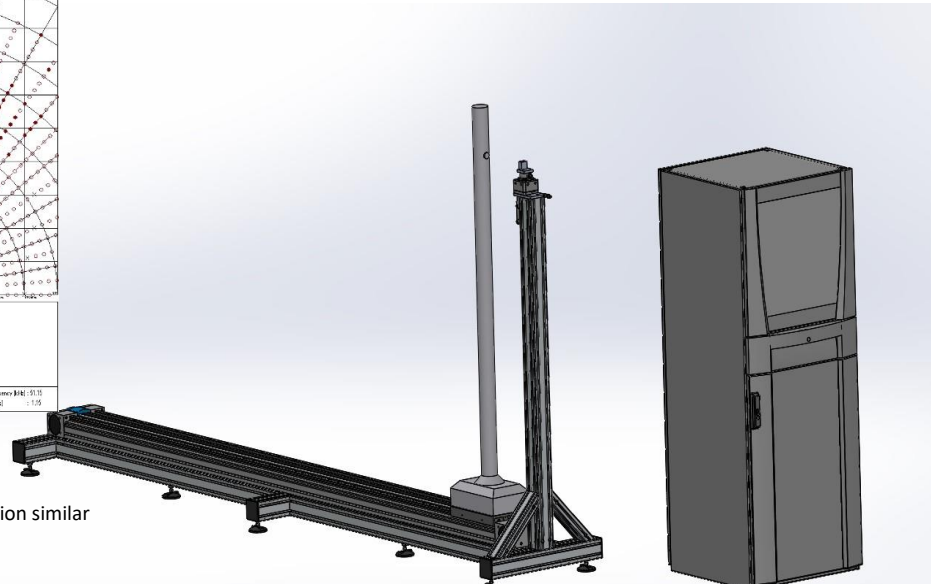


illustration similar



SHORT DESCRIPTION

Measures the Beam-Spl distribution of a TRANSDUCER subassembly in Decibel (without PCB). The transducer (driver) voltage can be up to 90Vss with Burst lengths from 4 to 32 oscillations are possible.

The measurement range is 0.1m to 2.5m, the Beam orientation can be adjusted horizontally or vertically.

Displays the SPL measurement results in a 360° polar coordinate system (pdf, print out, file).

We support most ULTRASONIC-TRANSDUCERS on the market.

HIGHLIGHTS

- ▶ Ideal for laboratory uses and during production ramp-up.
- ▶ Can measure Beam SPL distribution fully automatic.
- ▶ Precise Spl measurement with microphone & 30kHz-100Khz filter
- ▶ Easy adapts to different custom housings.

TECHNICAL DETAILS

- ▶ Frequency range 30kHz – 90kHz
- ▶ Transducer driver voltage up to 90Vss
- ▶ Burst lengths from 4 to 32 oscillations.
- ▶ Measurement distance 0.1 to 2.5m (1mm res.), 0°-180° (0.1° res.)
- ▶ SPL measurement 60dB – 120dB
- ▶ Measurement data available in Excel format
- ▶ Graphics print out as polar coordinates.

2021: MORE THAN 1 BILLION ULTRASONIC SENSORS PRODUCED ON OUR EQUIPMENT

